

SG 910 SS

Single Regulator Mounting Station

SG 910 SS

The SG 910 stainless steel single regulator mounting station can be ordered for one or two cylinders. A variety of outlet regulators are available based on delivery pressure and material requirements.

Single regulator mounting stations can be ordered with outlet regulator or separately. See regulator ordering information.

FEATURES

- ▣ Wall bracket included
- ▣ Maximum inlet pressure 3000 PSIG
- ▣ Includes 36" all stainless steel pigtail with stainless steel CGA and integral check valve
- ▣ Select regulator on page 63

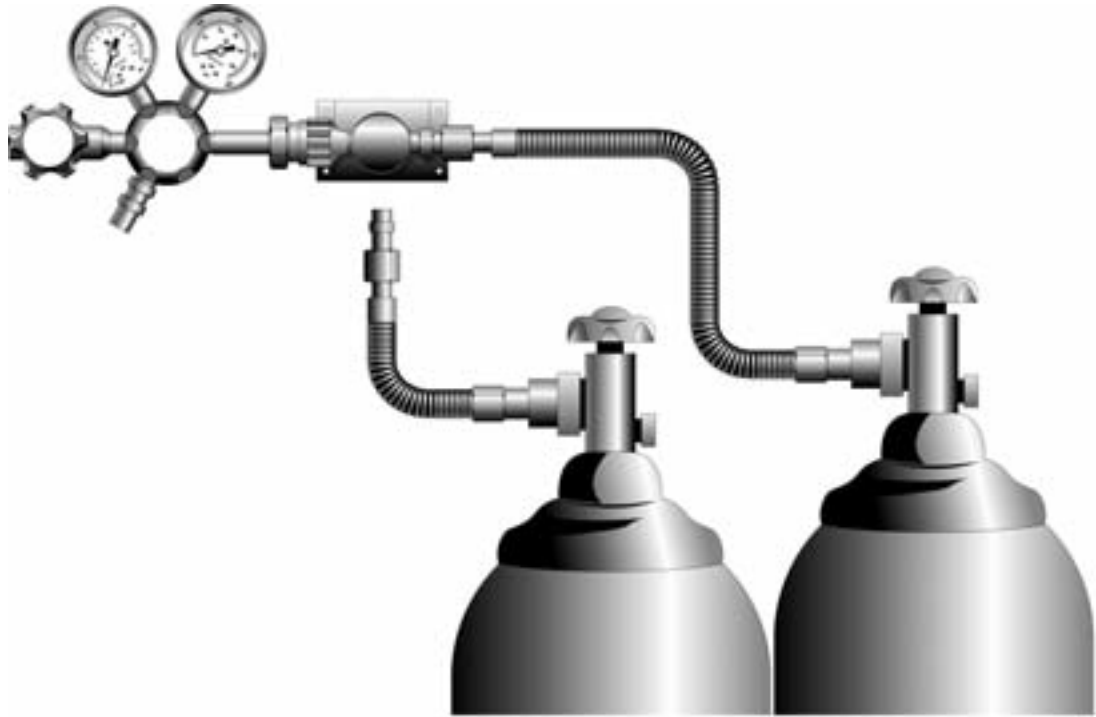


Shown with Model 741 Regulator Attached

SG 910SS ORDERING INFORMATION

PART NO.	MODEL NO.	GAS SERVICE	BRACKET ONLY (NO PIGTAIL)
1 Cylinder			
4700480	910SS-1-320	CGA 320-Carbon Dioxide	4702819
4700494	910SS-1-330	CGA 330	4702820
4700481	910SS-1-346	CGA 346- Air (Breathing)	4702821
4700482	910SS-1-350	CGA 350-Hydrogen	4702822
4700483	910SS-1-510	CGA 510-Acetylene	4702823
4700484	910SS-1-540	CGA 540-Oxygen	4702824
4700485	910SS-1-580	CGA 580-N ² /He/Ar	4702825
4700486	910SS-1-590	CGA 590-Air(Industrial)	4702826
4700495	910SS-1-660	CGA 660	4702827
2 Cylinders			
4700487	910SS-2-320	CGA 320-Carbon Dioxide	4702835
4700496	910SS-2-330	CGA 330	4702836
4700488	910SS-2-346	CGA 346-Air (Breathing)	4702837
4700489	910SS-2-350	CGA 350-Hydrogen	4702838
4700490	910SS-2-510	CGA 510-Acetylene	4702839
4700491	910SS-2-540	CGA 540-Oxygen	4702840
4700492	910SS-2-580	CGA 580-N ² /He/Ar	4702841
4700493	910SS-2-590	CGA 590-Air (Industrial)	4702842
4700497	910SS-2-660	CGA 660	4702843

SG 910 SS TECHNICAL SPECIFICATIONS



OUTLET REGULATOR ORDERING INFORMATION

Model 741 & Model 742 High Purity - Stainless Steel Regulators

- ▶ Stainless steel barstock bodies
- ▶ One-piece encapsulated seat
- ▶ Stainless steel diaphragm
- ▶ C_v = Single stage .08 - Two stage .06



Model 741 Single Stage Regulator w/ Diaphragm Valve and Mounting Station

Delivery PSIG	Part Number
0-15	741-015-CGA-A-G
0-50	741-050-CGA-A-G
0-125	741-125-CGA-A-G
0-250	741-250-CGA-A-G
0-500	741-500-CGA-A-G

RELATED OPTIONS

DESCRIPTION	PART NO.
Purge Assembly- Stainless Steel see page 70 for P/N	
Rotatable Venting Kit	9100875
Regulator Alarm Kit- HP Stainless Steel	4300426
LP Stainless Steel	4300427

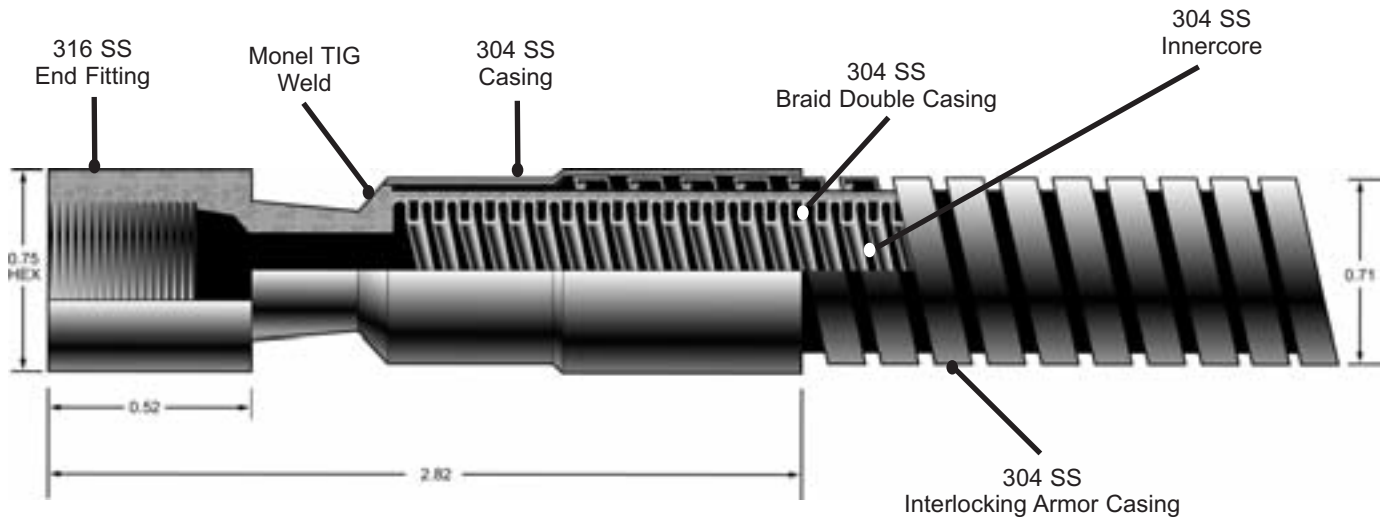
Model 742 Two Stage Regulator w/ Diaphragm Valve and Mounting Station

Delivery PSIG	Part Number
0-15	742-015-CGA-A-G
0-50	742-050-CGA-A-G
0-125	742-125-CGA-A-G
0-250	742-250-CGA-A-G
0-500	742-500-CGA-A-G

PIGTAILS

Pigtails are flexible hoses designed for gas systems at pressures up to 3000 PSIG. AGG offers pigtails with a variety of end fittings including common CGA connections with integral non-return check valves. Armor cased pigtails come with an outer armor casing to prevent kinking and whipping in the event of an internal failure.

CROSS SECTIONAL VIEW



PIGTAILS

PART NO.	DESCRIPTION	PART NO.	DESCRIPTION
Armor Case Stainless Steel 1/4" FNPT X 1/4" FNPT			
9005793	24" Armor Case Stainless Steel 1/4" FNPT X 1/4" FNPT	9103399	36" Stainless Steel CGA 346 X Brass CGA W/CV PIGTAIL-ASY, 3' CGA 346 TO CGA 320
9005794	36" Armor Case Stainless Steel 1/4" FNPT X 1/4" FNPT	9103400	PIGTAIL-ASY, 3' CGA 346 TO CGA 326
9005795	72" Armor Case Stainless Steel 1/4" FNPT X 1/4" FNPT	9103401	PIGTAIL-ASY, 3' CGA 346 TO CGA 346
Armor Case PTFE Lined 1/4" FNPT X 1/4" FNPT			
9005799	48" Armor Case PTFE Lined 1/4" FNPT X 1/4" FNPT	9103402	PIGTAIL-ASY, 3' CGA 346 TO CGA 350
9005800	24" Armor Case PTFE Lined 1/4" FNPT X 1/4" FNPT	9103403	PIGTAIL-ASY, 3' CGA 346 TO CGA 540
9005801	36" Armor Case PTFE Lined 1/4" FNPT X 1/4" FNPT	9103404	PIGTAIL-ASY, 3' CGA 346 TO CGA 580
9005807	72" Armor Case PTFE Lined 1/4" FNPT X 1/4" FNPT	9103405	PIGTAIL-ASY, 3' CGA 346 TO CGA 590
24" Stainless Steel CGA 346 X Brass CGA W/CV			
9103392	PIGTAIL-ASY, 2' CGA 346 TO CGA 320	9103410	PIGTAIL-ASY, 2' CGA 320
9103393	PIGTAIL-ASY, 2' CGA 346 TO CGA 326	9103411	PIGTAIL-ASY, 2' CGA 326
9103394	PIGTAIL-ASY, 2' CGA 346 TO CGA 346	9103412	PIGTAIL-ASY, 2' CGA 346
9103395	PIGTAIL-ASY, 2' CGA 346 TO CGA 350	9103413	PIGTAIL-ASY, 2' CGA 346
9103396	PIGTAIL-ASY, 2' CGA 346 TO CGA 540	9103414	PIGTAIL-ASY, 2' CGA 350
9103397	PIGTAIL-ASY, 2' CGA 346 TO CGA 580	9103415	PIGTAIL-ASY, 2' CGA 540
9103398	PIGTAIL-ASY, 2' CGA 346 TO CGA 590	9103416	PIGTAIL-ASY, 2' CGA 580
24" Stainless Steel 1/4" FNPT X Brass CGA W/CV			
9103416 PIGTAIL-ASY, 2' CGA 590			

Note: CGA 346 is AGG'S common manifold header connection. These pigtails should be purchased as replacement items for AGG manifold systems.

PIGTAILS

PIGTAILS

PART NO.	DESCRIPTION	PART NO.	DESCRIPTION
36" Stainless Steel 1/4" FNPT X Brass CGA W/CV		24" Stainless Steel 1/4" FNPT X SS CGA W/CV	
9103417	PIGTAIL-ASY, 3' CGA 320	9103441	PIGTAIL-ASY, 2' CGA 320 SS
9103418	PIGTAIL-ASY, 3' CGA 326	9103442	PIGTAIL-ASY, 2' CGA 326 SS
9103419	PIGTAIL-ASY, 3' CGA 346	9103443	PIGTAIL-ASY, 2' CGA 346 SS
9103420	PIGTAIL-ASY, 3' CGA 350	9103444	PIGTAIL-ASY, 2' CGA 350 SS
9103421	PIGTAIL-ASY, 3' CGA 540	9103445	PIGTAIL-ASY, 2' CGA 500 SS
9103422	PIGTAIL-ASY, 3' CGA 580	9103446	PIGTAIL-ASY, 2' CGA 540 SS
9103423	PIGTAIL-ASY, 3' CGA 590	9103447	PIGTAIL-ASY, 2' CGA 580 SS
72" Stainless Steel 1/4" FNPT X Brass CGA W/CV		9103448	PIGTAIL-ASY, 2' CGA 590 SS
9101996	PIGTAIL-ASY, 72" CGA 320	9103479	PIGTAIL-ASY, 2' CGA 240 SS
9101997	PIGTAIL-ASY, 72" CGA 540	9103480	PIGTAIL-ASY, 2' CGA 330 SS
9101998	PIGTAIL-ASY, 72" CGA 580	9103481	PIGTAIL-ASY, 2' CGA 660 SS
24" Stainless Steel CGA 346 X SS CGA W/CV		9103482	PIGTAIL-ASY, 2' CGA 705 SS
9103459	PIGTAIL-ASY, 2' CGA 346 TO CGA 320 SS	36" Stainless Steel 1/4" FNPT X SS CGA W/CV	
9103460	PIGTAIL-ASY, 2' CGA 346 TO CGA 326 SS	9103449	PIGTAIL-ASY, 3' CGA 320 SS
9103461	PIGTAIL-ASY, 2' CGA 346 TO CGA 346 SS	9103450	PIGTAIL-ASY, 3' CGA 326 SS
9103462	PIGTAIL-ASY, 2' CGA 346 TO CGA 350 SS	9103451	PIGTAIL-ASY, 3' CGA 346 SS
9103463	PIGTAIL-ASY, 2' CGA 346 TO CGA 500 SS	9103452	PIGTAIL-ASY, 3' CGA 350 SS
9103464	PIGTAIL-ASY, 2' CGA 346 TO CGA 540 SS	9103453	PIGTAIL-ASY, 3' CGA 500 SS
9103465	PIGTAIL-ASY, 2' CGA 346 TO CGA 580 SS	9103454	PIGTAIL-ASY, 3' CGA 540 SS
9103466	PIGTAIL-ASY, 2' CGA 346 TO CGA 590 SS	9103455	PIGTAIL-ASY, 3' CGA 580 SS
9103487	PIGTAIL-ASY, 2' CGA 346 TO CGA 240 SS	9103456	PIGTAIL-ASY, 3' CGA 590 SS
9103488	PIGTAIL-ASY, 2' CGA 346 TO CGA 330 SS	9103483	PIGTAIL-ASY, 3' CGA 240 SS
9103489	PIGTAIL-ASY, 2' CGA 346 TO CGA 660 SS	9103484	PIGTAIL-ASY, 3' CGA 330 SS
9103490	PIGTAIL-ASY, 2' CGA 346 TO CGA 705 SS	9103485	PIGTAIL-ASY, 3' CGA 660 SS
36" Stainless Steel CGA 346 X SS CGA W/CV		9103486	PIGTAIL-ASY, 3' CGA 705 SS
9103467	PIGTAIL-ASY, 3' CGA 346 TO CGA 320 SS	72" Stainless Steel 1/4" FNPT X SS CGA W/CV	
9103468	PIGTAIL-ASY, 3' CGA 346 TO CGA 326 SS	9103457	PIGTAIL-ASY, 72" CGA 540 SS
9103469	PIGTAIL-ASY, 3' CGA 346 TO CGA 346 SS	9103458	PIGTAIL-ASY, 72" CGA 580 SS
9103470	PIGTAIL-ASY, 3' CGA 346 TO CGA 350 SS		
9103471	PIGTAIL-ASY, 3' CGA 346 TO CGA 500 SS		
9103472	PIGTAIL-ASY, 3' CGA 346 TO CGA 540 SS		
9103473	PIGTAIL-ASY, 3' CGA 346 TO CGA 580 SS		
9103474	PIGTAIL-ASY, 3' CGA 346 TO CGA 590 SS		
9103491	PIGTAIL-ASY, 3' CGA 346 TO CGA 240 SS		
9103492	PIGTAIL-ASY, 3' CGA 346 TO CGA 330 SS		
9103493	PIGTAIL-ASY, 3' CGA 346 TO CGA 660 SS		
9103494	PIGTAIL-ASY, 3' CGA 346 TO CGA 705 SS		